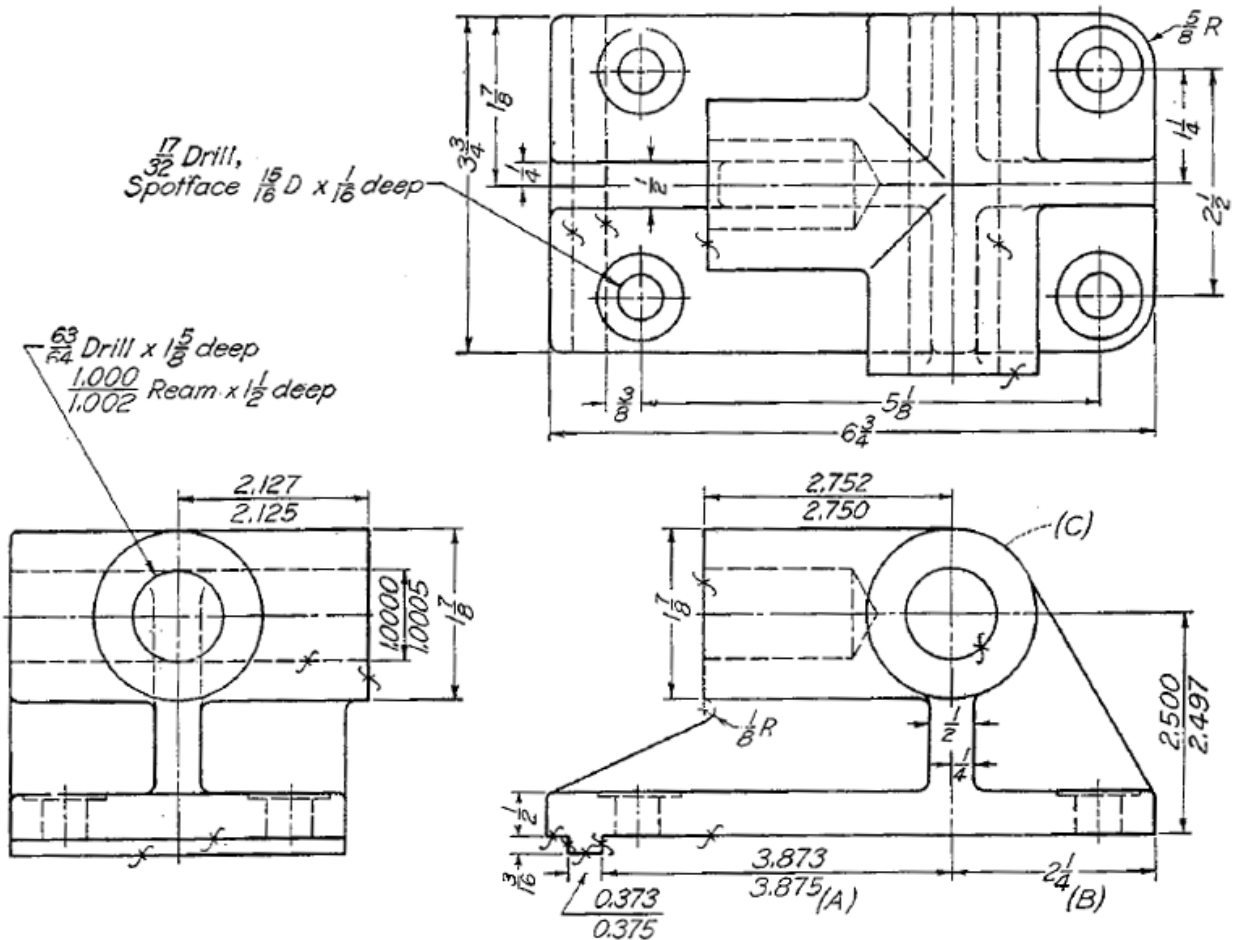
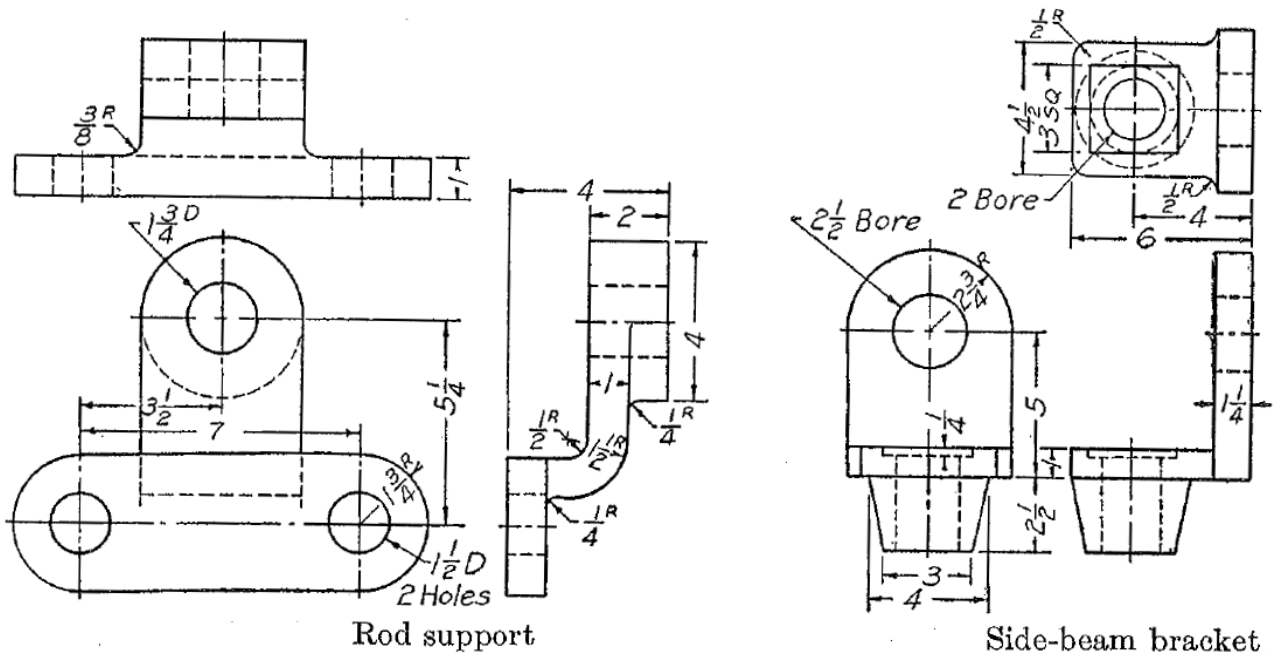
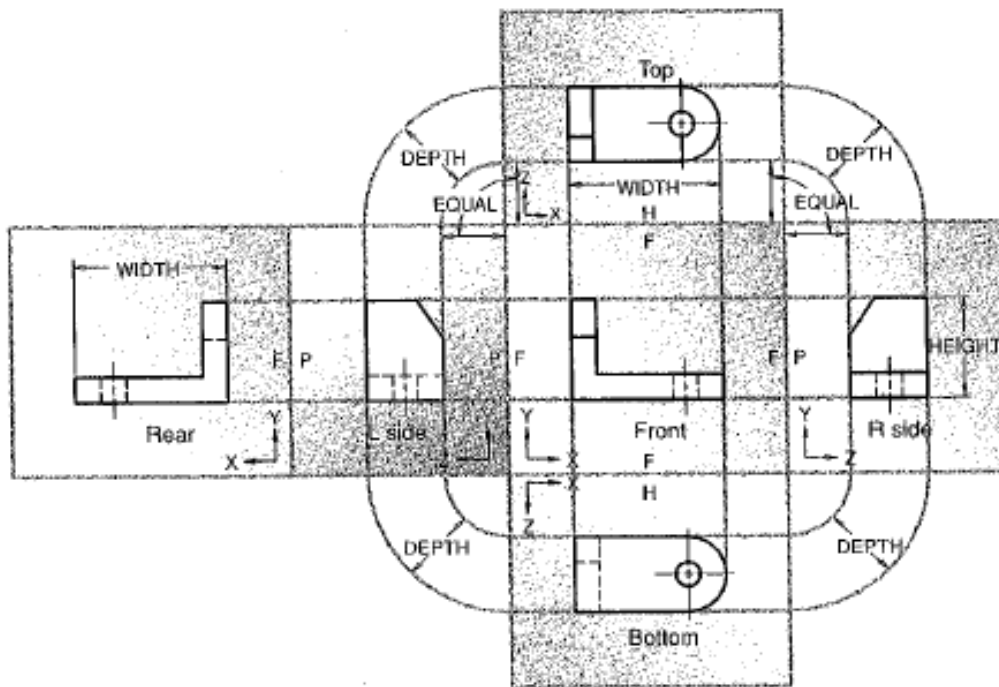
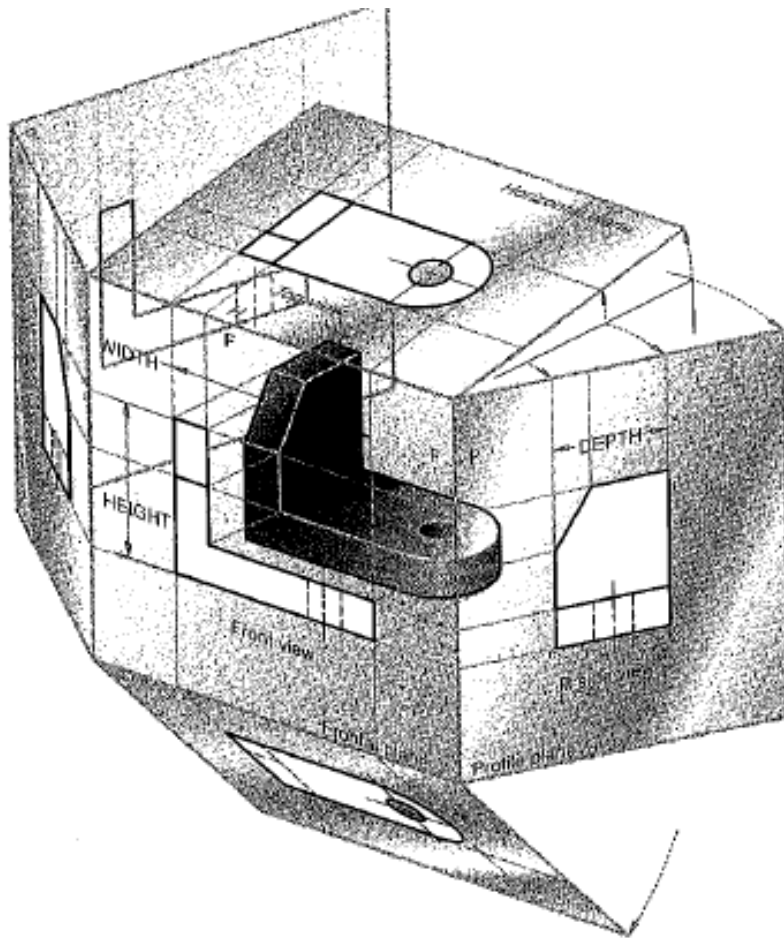


Examples of dimensioning and view definitions are given below.



An example of dimensioning.





Unfolding the Glass Box to Produce a Six-View Drawing