

Selected dimensioning examples:

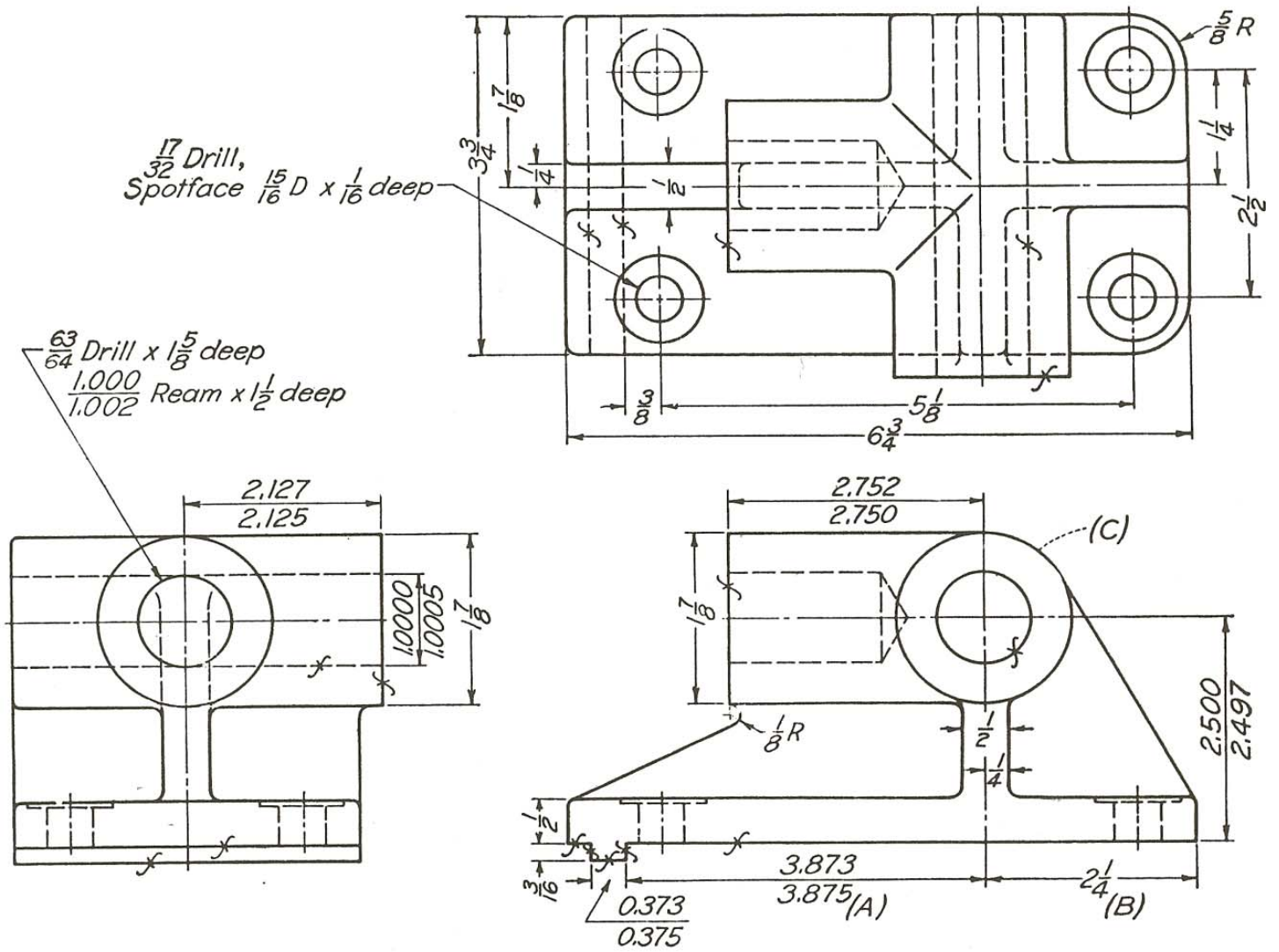
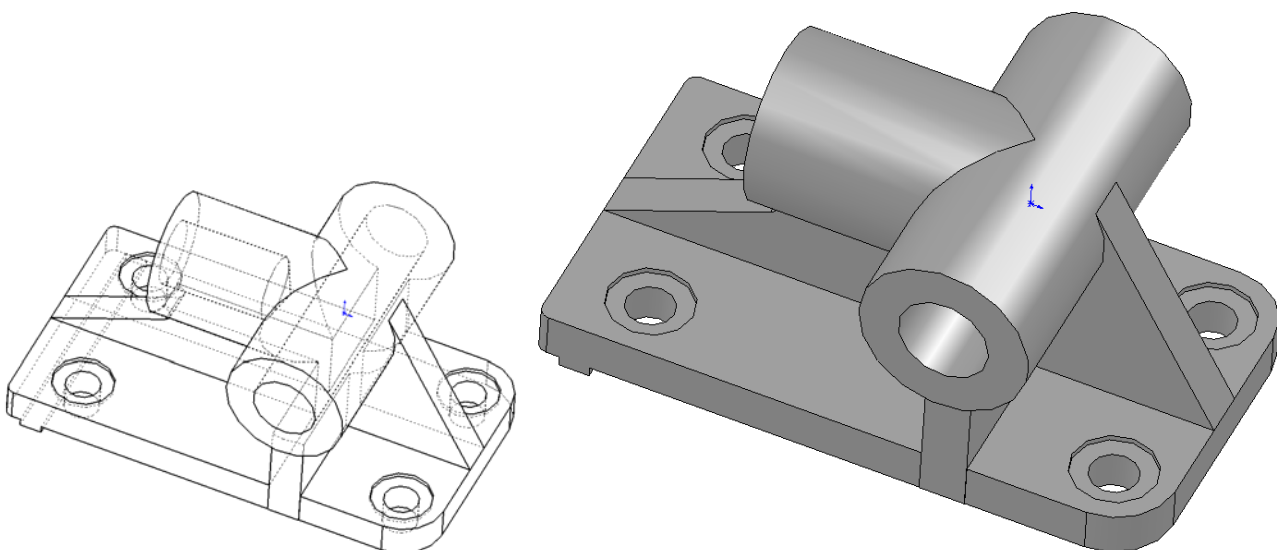
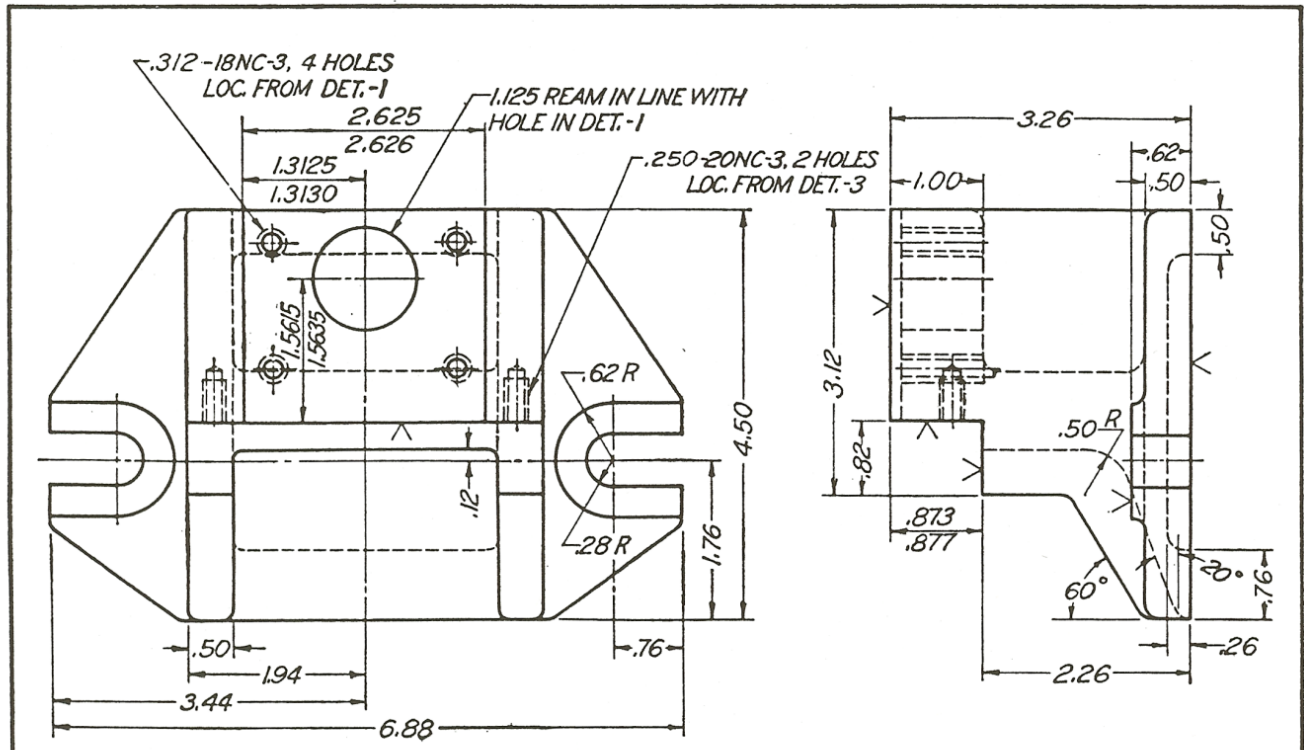


Fig. 20.21. An example of dimensioning.





Unspecified Radii .12

| DWN  | Roberts | 1-2-47 | LIMITS, UNLESS OTHERWISE NOTED:<br>TWO PLACE DECIMALS ±.030 ANGULAR ±½° |      |      | REVISION      | DATE         | CHANGE OR ADDITION |          |             |
|------|---------|--------|---|------|------|---------------|--------------|--------------------|----------|-------------|
| TCD  |         |        | PART NO.  | RECD | NAME | MATERIAL      |              | STOCK SIZE         | HEAT TR. | FINISH      |
| CKD  | J.K.C.  | 1-5-47 | 1   | 1    | BODY | C.I.          |              |                    |          | As shown    |
| APPD | J.K.C.  | 1-5-47 | UNIT OR ASSEMBLY  |      |      | SCALE         | COMPANY NAME |                    |          | DRAWING NO. |
|      |         |        | T-4730 DRILL JIG  |      |      | Full          | CITY         |                    |          | no. 3 of 14 |
|      |         |        |   |      |      | ASSY. DR. NO. |              |                    |          | T-4732      |
|      |         |        |   |      |      | T-4730        |              |                    |          |             |

Fig. 20.15. A drawing dimensioned in the ASA complete decimal system.

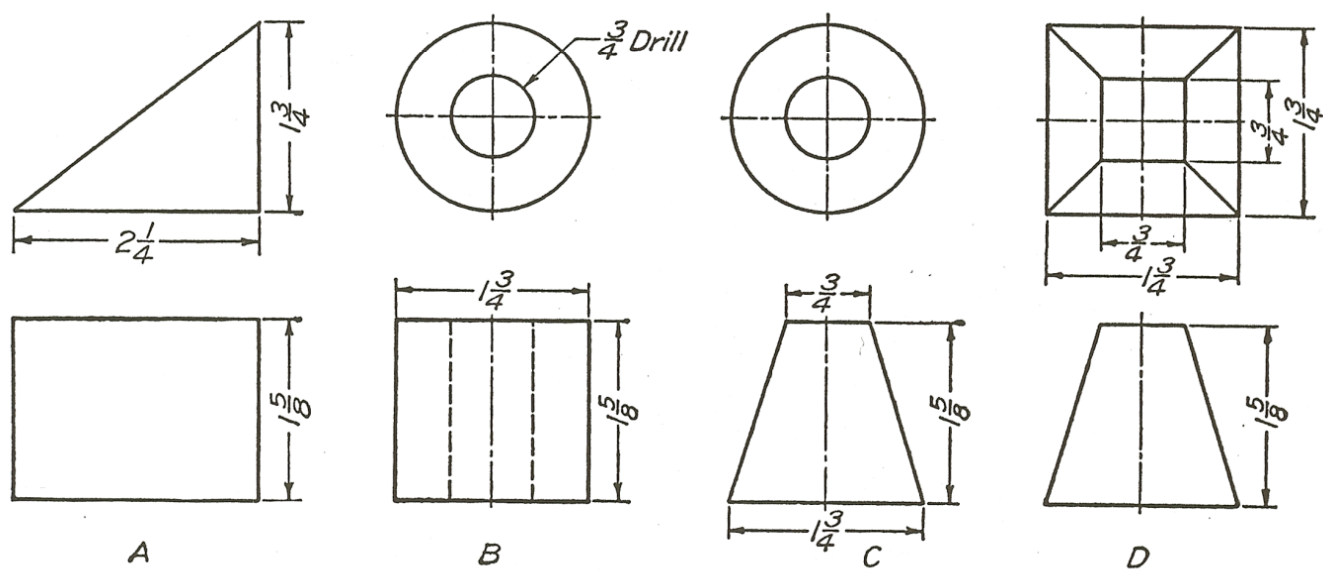
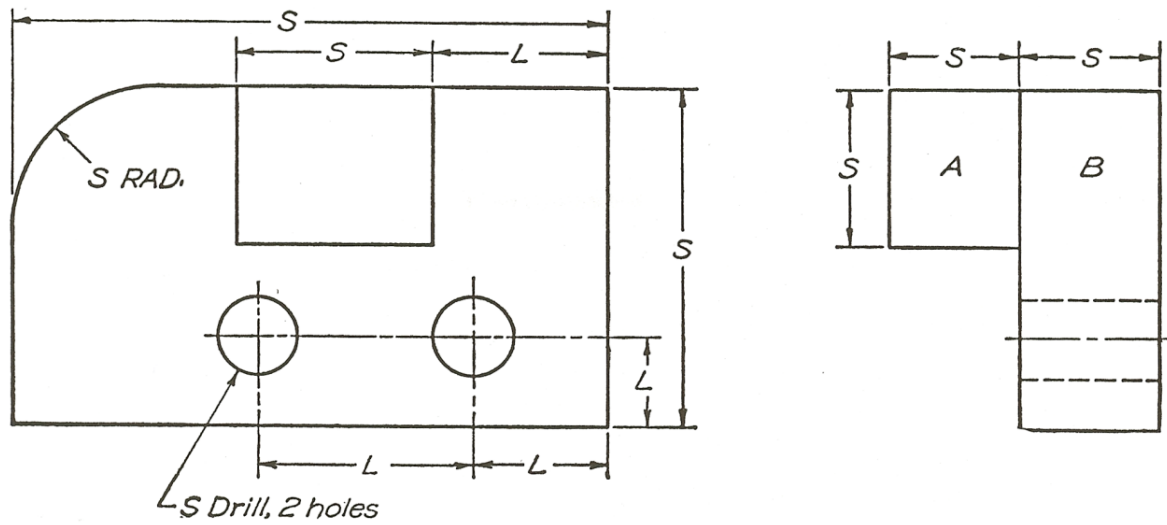
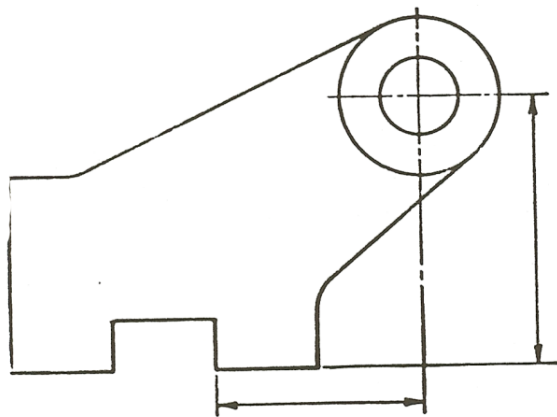


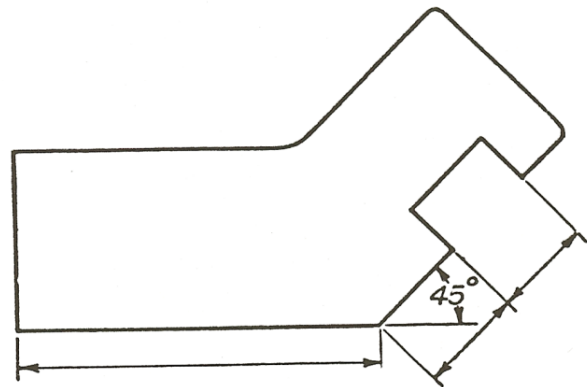
Fig. 20.16. Size dimensions—prism, cylinder, cone, and pyramid.



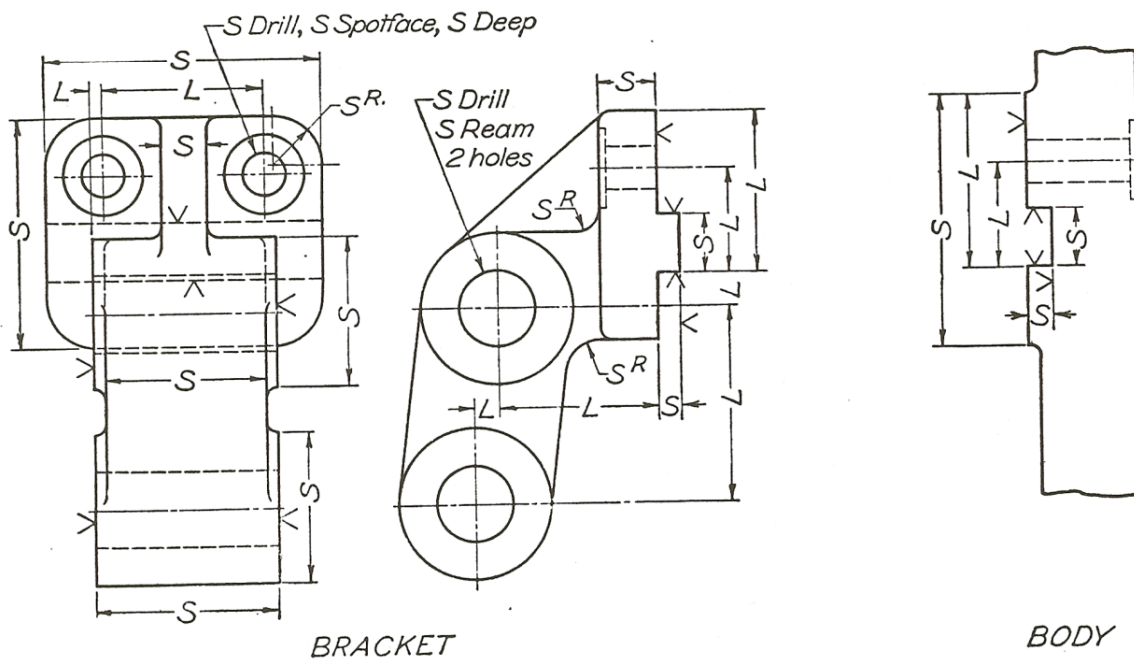
**Fig. 20.17.** Size and location dimensions.



**Fig. 20.18.** Location by offsets.



**Fig. 20.19.** Location by angle.



**Fig 20.20**

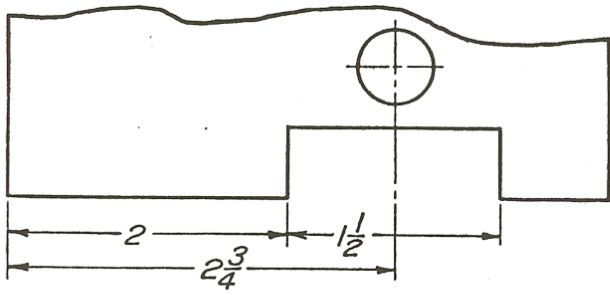


Fig. 20.30. Values midway between arrowheads.

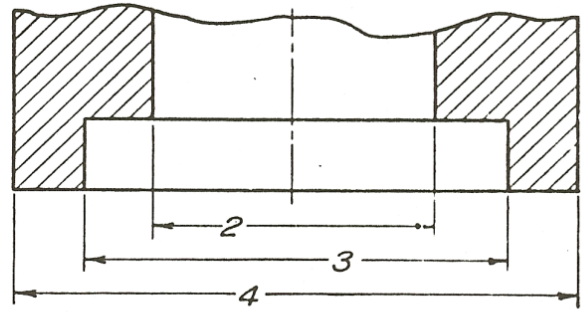


Fig. 20.31. "Staggered" values.

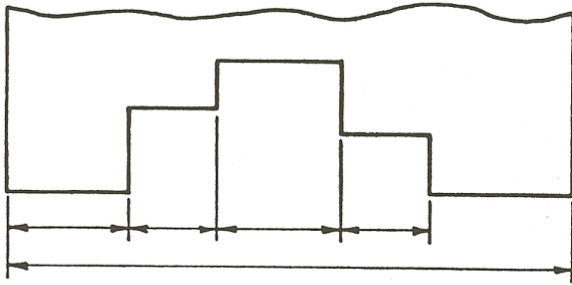


Fig. 20.32. Continuous dimensions.

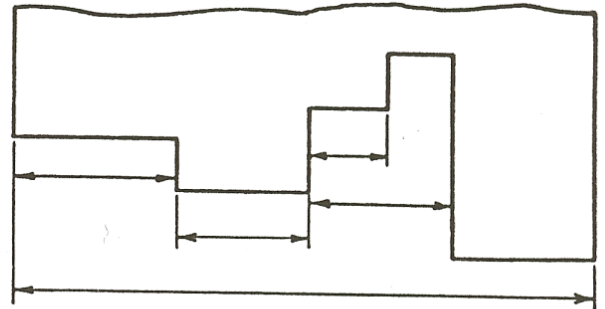


Fig. 20.33. "Staggered" dimensions.

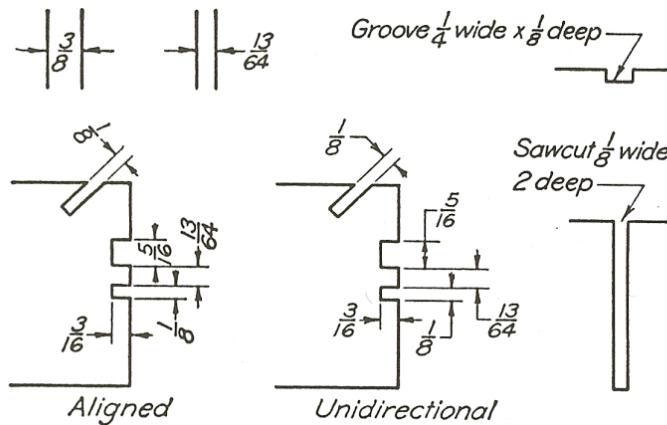


Fig. 20.34. Limited space.

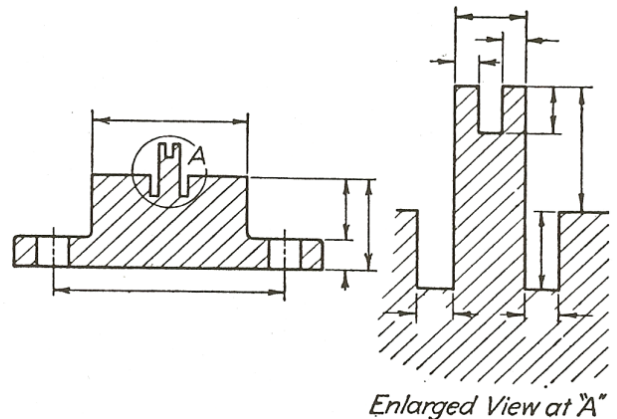


Fig. 20.35. Use of enlarged view.

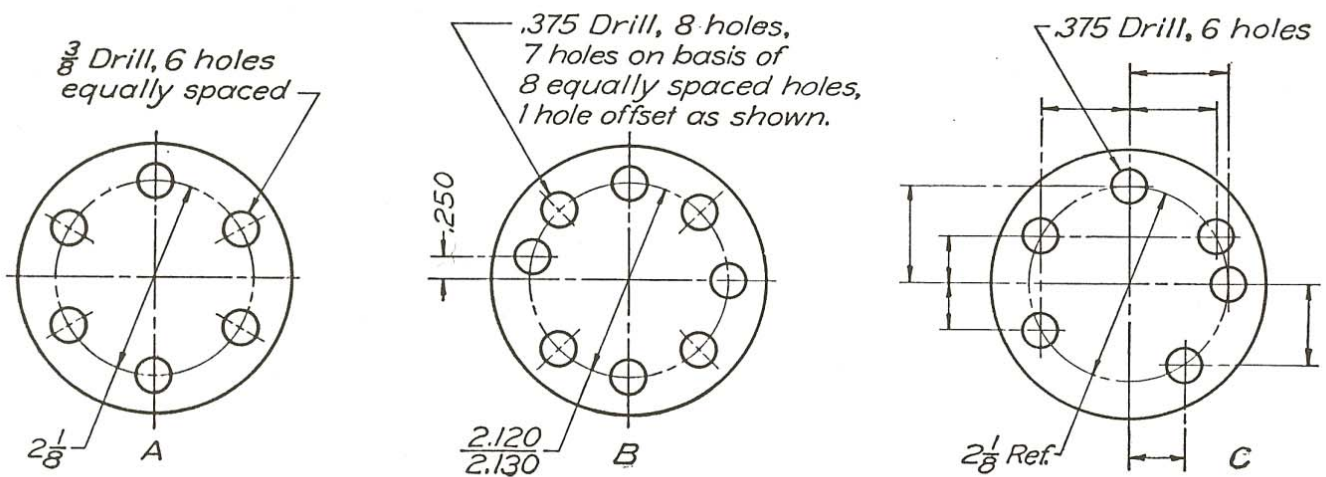
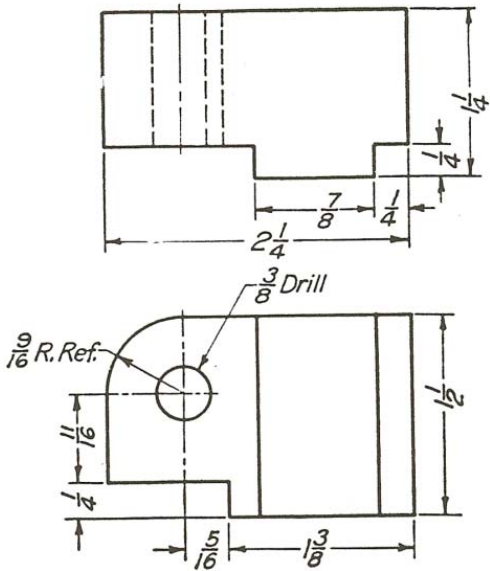
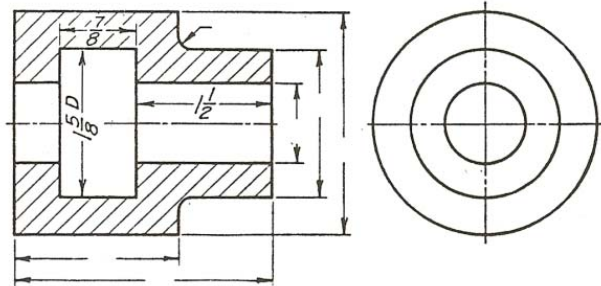


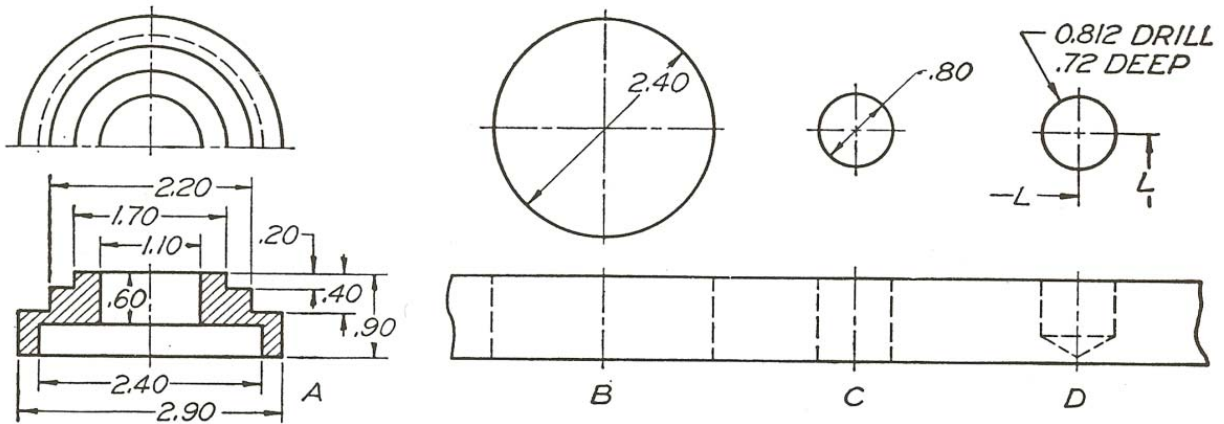
Fig. 20.49. Hole circles.



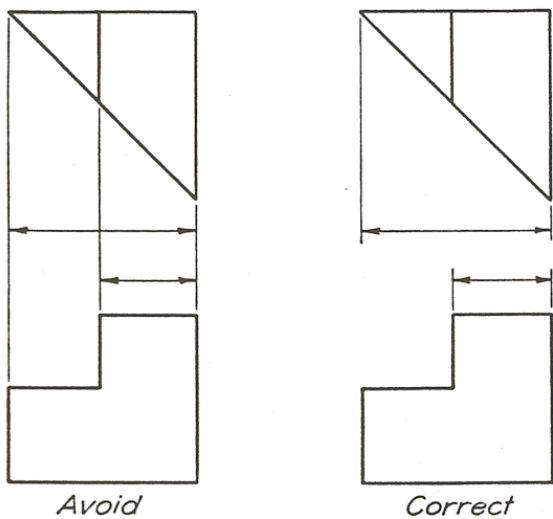
**Fig. 20.25.** The contour principle applied.



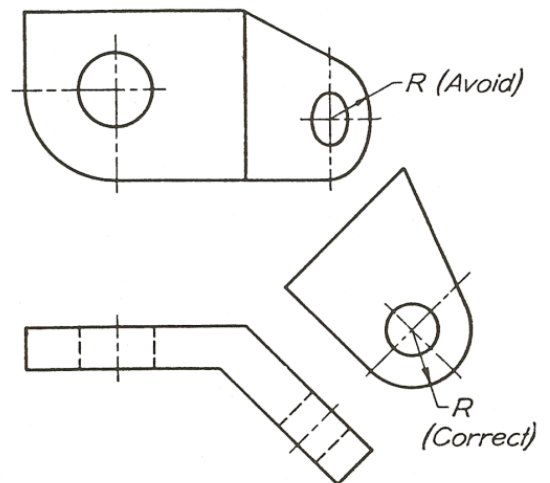
**Fig. 20.27.** Dimensions inside the view.



**Fig. 20.26.** Dimensions for cylinders.



**Fig. 20.28.** Dimensions applied to one view only.



**Fig. 20.29.** Dimensioned distance normal.

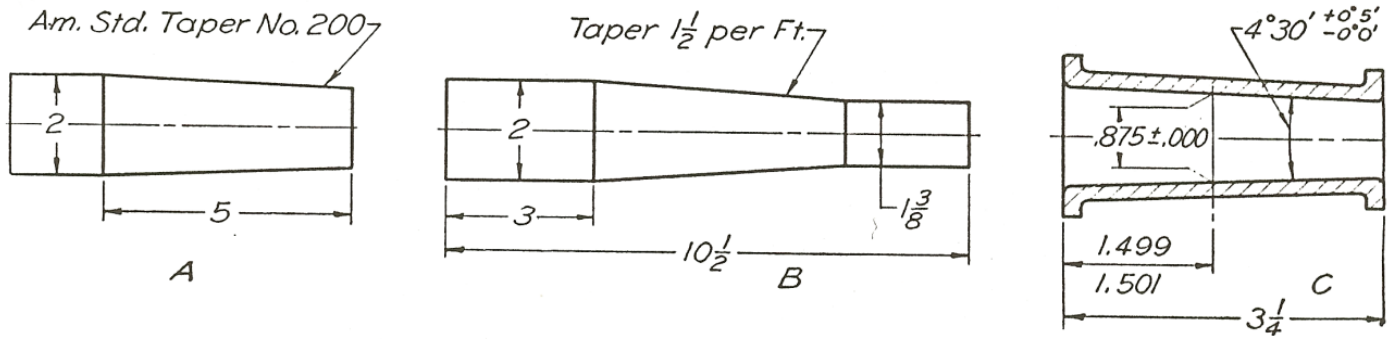


Fig. 20.51. Dimensioning of tapers.

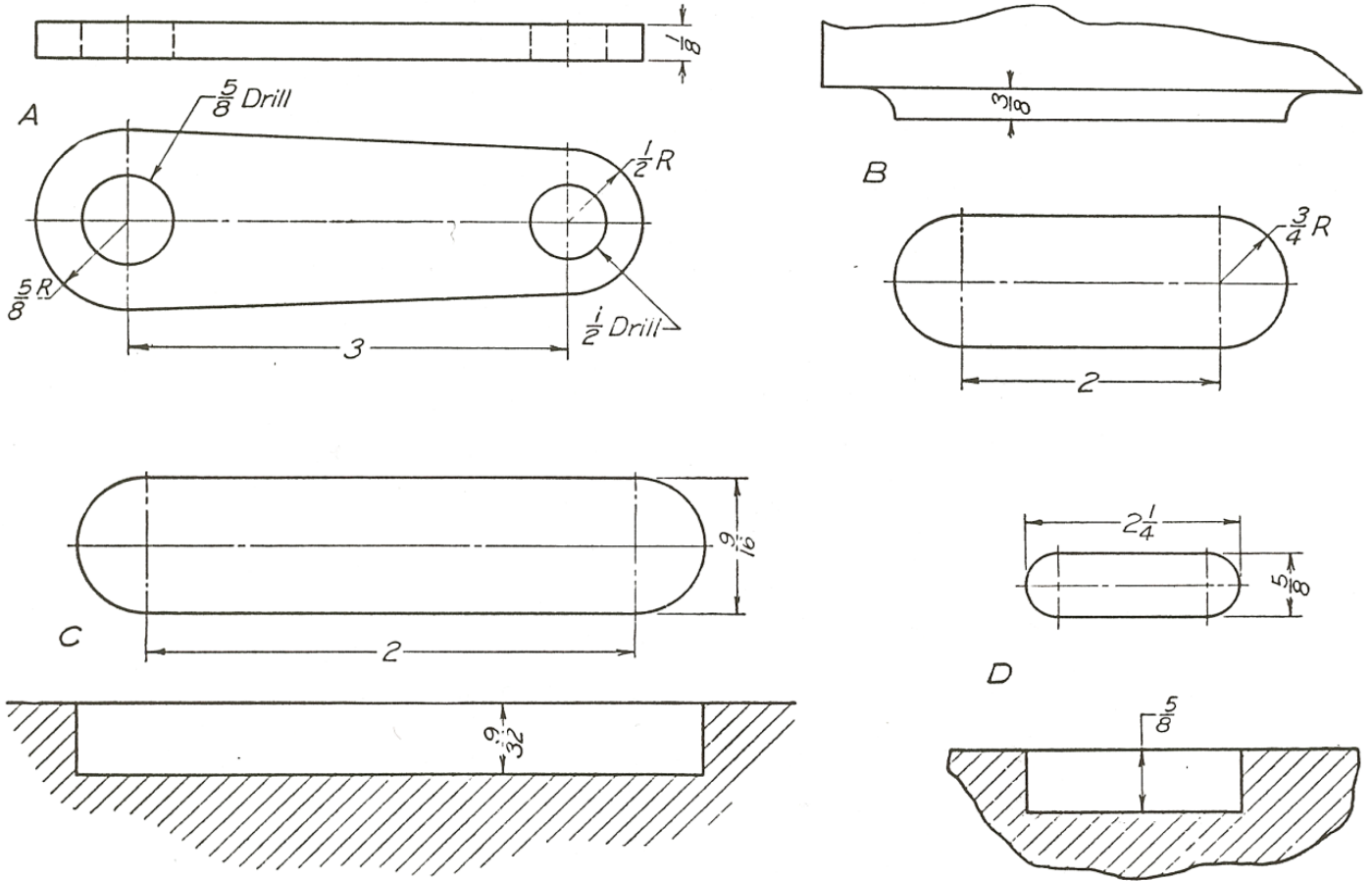


Fig. 20.53. Dimensioning of round-end shapes.

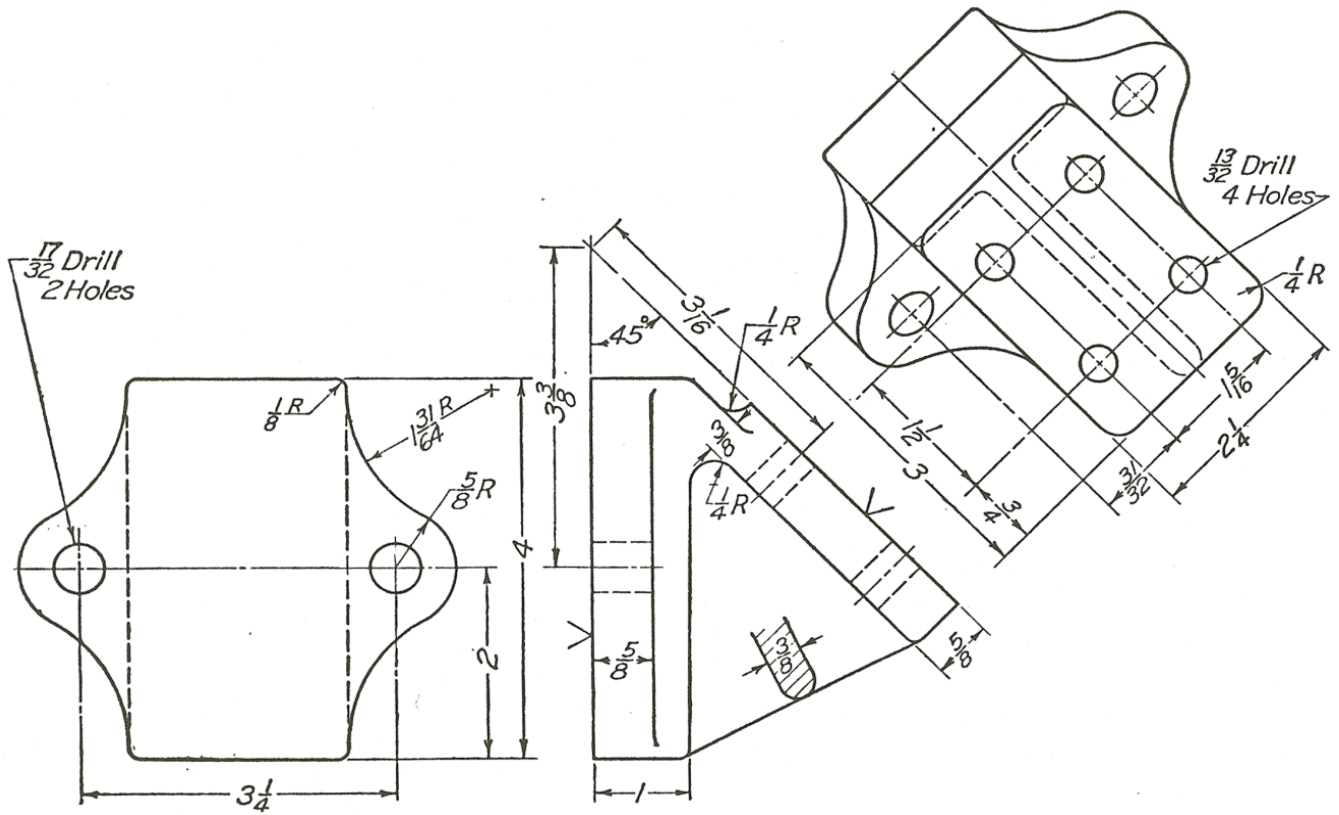


Fig. 20.56. Dimensioning on an auxiliary view.

*A Manual of*  
**ENGINEERING**  
**DRAWING**  
*for Students and Draftsmen*

by THOMAS E. FRENCH

*Late Professor of Engineering Drawing, The Ohio State University*

and CHARLES J. VIERCK

*Professor of Engineering Drawing, The Ohio State University*

**McGRAW-HILL BOOK COMPANY, INC.**

NEW YORK

TORONTO

LONDON

1953