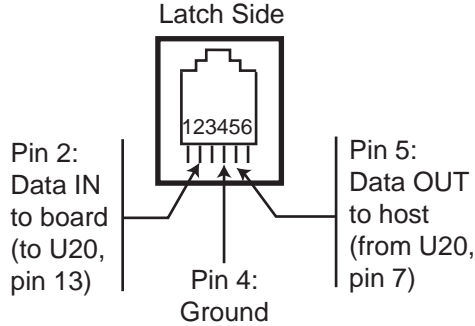
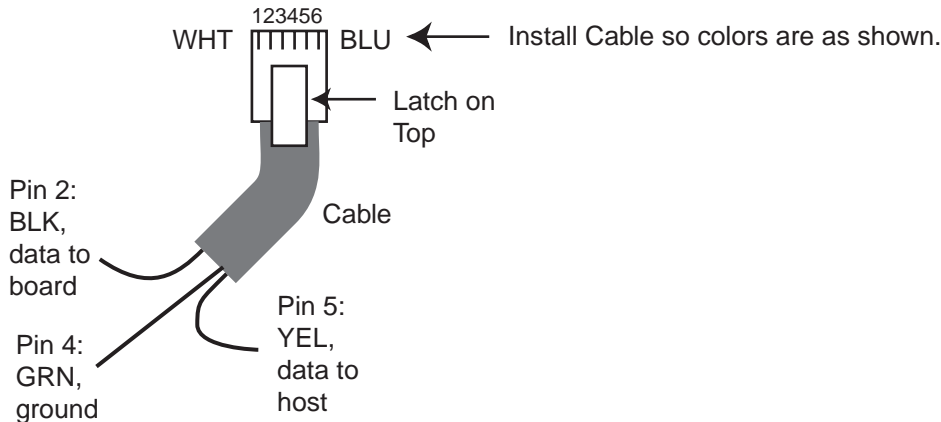


Rice RoboBoard Connection to PC Host Computer

RoboBoard RJ-11 6-Pin Socket



RJ-11 Plug on Phone Cable



IBM PC DB9 Serial Port: (female connector required)

- Terminal #2: YEL: Receive data (to host).
- Terminal #3: BLK: Transmit data (to board).
- Terminal #5: GRN: Signal Ground.

IBM PC DB25 Serial Port: (female connector required)

- Terminal #2: BLK: Transmit data (to board).
- Terminal #3: YEL: Receive data (to host).
- Terminal #7: GRN: Signal Ground.

Macintosh (Old) Serial Port: DIN-8 Round (male connector)

- Terminal #3: BLK: Transmit data (to board).
- Terminal #4: GRN: Signal Ground.
- Terminal #5: YEL: Receive data (to host).